

Elina Sequential Type 3 TMV Mixer

Thermostatic Inclusive Mixer Shower

Product Codes

Elina Type 3 TMV Sequential Mixer Shower - Exposed (Valve Only)	ELITMV3EXSL
Elina Type 3 TMV Sequential Mixer Shower - Built in (Valve Only)	ELITMV3BTSL

Installation

- 15mm compression to flat face union
- 1/2" BSP top or bottom

End User

- Thermostatic temperature control and Type 3 (TMV) approval for added peace of mind
- Automatic shutdown safety feature should either the hot or cold water supplies fail
- Suitable for all pressure systems
- Single control for temperature adjustment with a constant flow
- KIWA UK Reg 4 approved for water supply regulations compliance
- Simple to install and maintain
- 5 year parts and labour guarantee

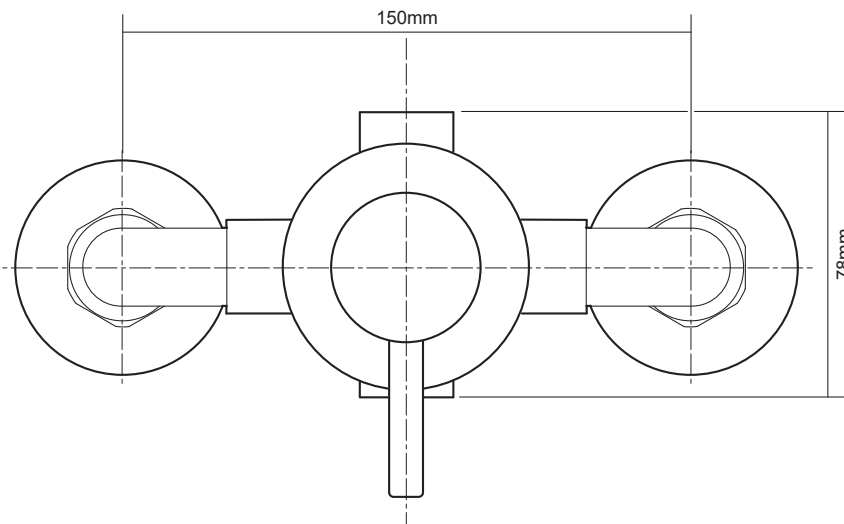
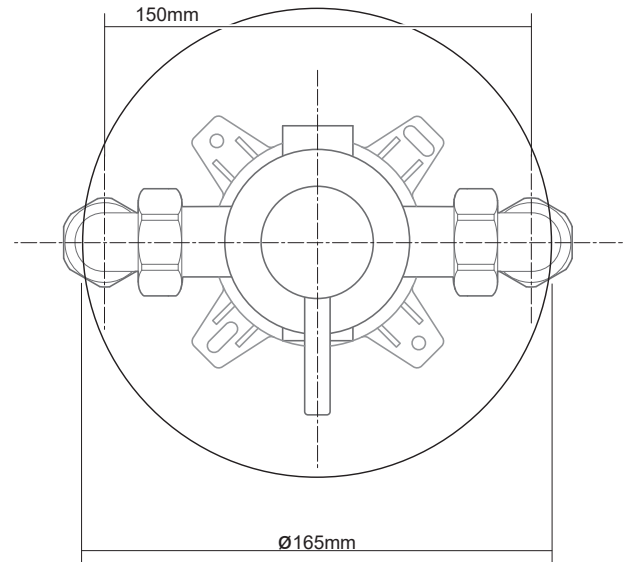
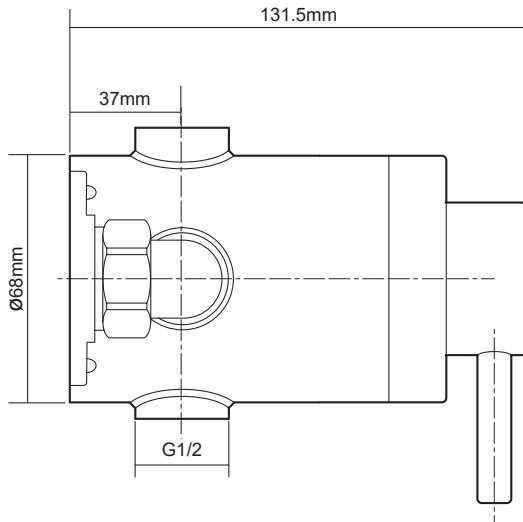
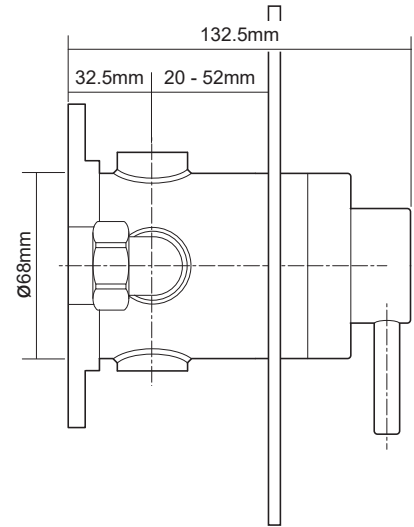


Elina Sequential Type 3 TMV Mixer

Thermostatic Inclusive Mixer Shower

Shower

Temperature Control	Thermostatic
Plumbing System Compatibility	All systems
Inlet Connection	15mm compression to flat face union
Outlet Connection	1/2" BSP top or bottom
Minimum Running Pressure/Flow	0.1 Bar @ 8 l/min
Maximum Running Pressure	5 Bar
Maximum Static Pressure	10 Bar
Approvals, Complies with	KIWA Type 3 (thermostatic mixing valve), KIWA UK Water Regulation 4
Guarantee	5 years



Contact our specification team

Call: 02476 324 776 | Email: specification@tritonshowers.co.uk | Web: www.tritonshowers/specifiers

- (1) Tri-Therm™ constantly regulating flow, blending water and adjusting the power to precisely control the showering temperature.
- (2) Safe-Set™ tamper proof maximum temperature setting whilst allowing full rotation of the temperature dial.
- (3) The shower will operate down to 0.5 bar at reduced flow rates.